

ACME-SHOREY

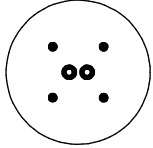
PRECAST CONCRETE PRODUCTS

WWW.ACME-SHOREY.COM
PHONE (508) 548-9607

NOTES:

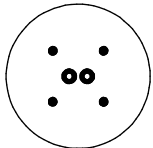
- 1.) CONTRACTOR TO SUPPLY ELECTRICAL CONDUITS, GROUNDING WIRES, BOLT PATTERNS, ANCHOR BOLTS, NUTS & WASHERS.
- 2.) CONTRACTOR TO INDICATE CONDUIT LOCATIONS & QUANTITIES.

CONDUIT LOCATIONS



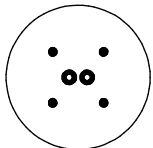
POLE# _____

Qty# _____



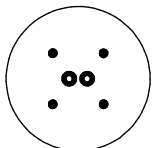
POLE# _____

Qty# _____



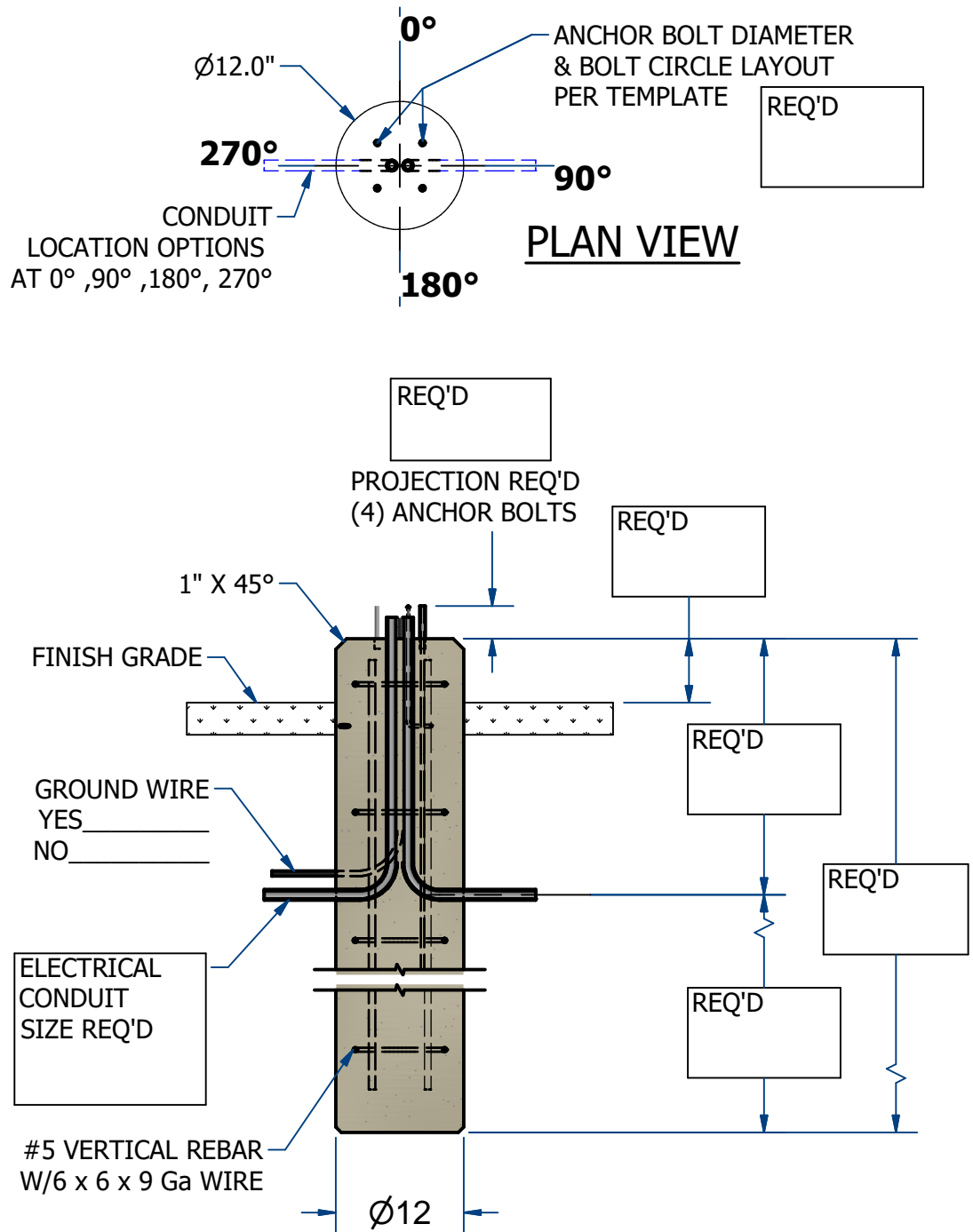
POLE# _____

Qty# _____



POLE# _____

Qty# _____



Contractor Signature: _____

SO# _____

Customer Signature: _____

NAME: LIGHT POLE BASE ASSEMBLY, 12" DIA

ITEM# LPB12

Concrete Minimum Strength: 5,000 p.s.i. at 28 days
Steel Reinforcement: ASTM A615, Grade 60

WEIGHT 118 PVF

CH

DATE: 10-2-21