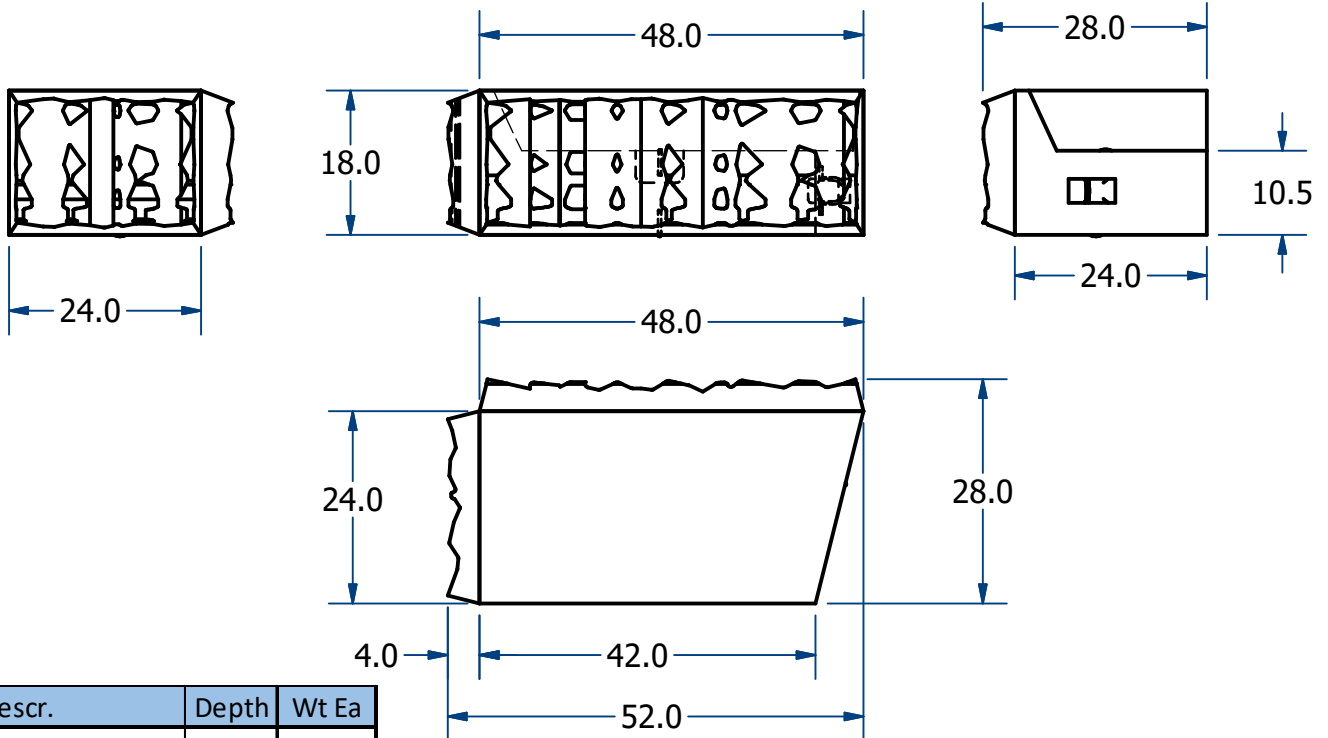
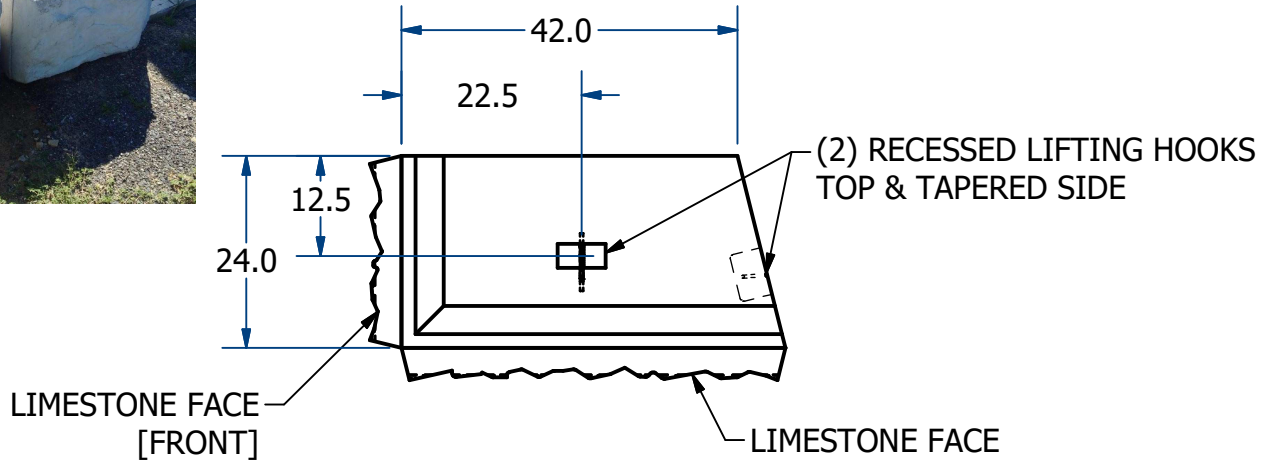
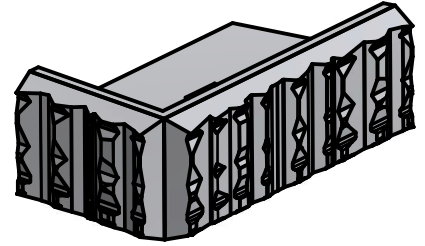


ACME-SHOREY

PRECAST CONCRETE PRODUCTS

NOTES:

1.) FACE AREA = 6 + 3 = 9 SQFT



Descr.	Depth	Wt Ea
Body	48"	1150
Front, Limestone Face x 48"	4"	250
Side, Limestone Face x 24"	4"	125
		1525

NAME: RIGHT FULL CAP CORNER BOULDER (LB42) H-20 **ITEM# LBRFCCB**

Concrete Minimum Strength: 5,000 p.s.i. at 28 days
 Steel Reinforcement: ASTM A615, Grade 60
 Design Loading: standard units - AASHTO - H20

WEIGHT 1525 Lbs

C

DATE: 8-17-20

Ch 20 Pg 1.5 Sht 2 of 2