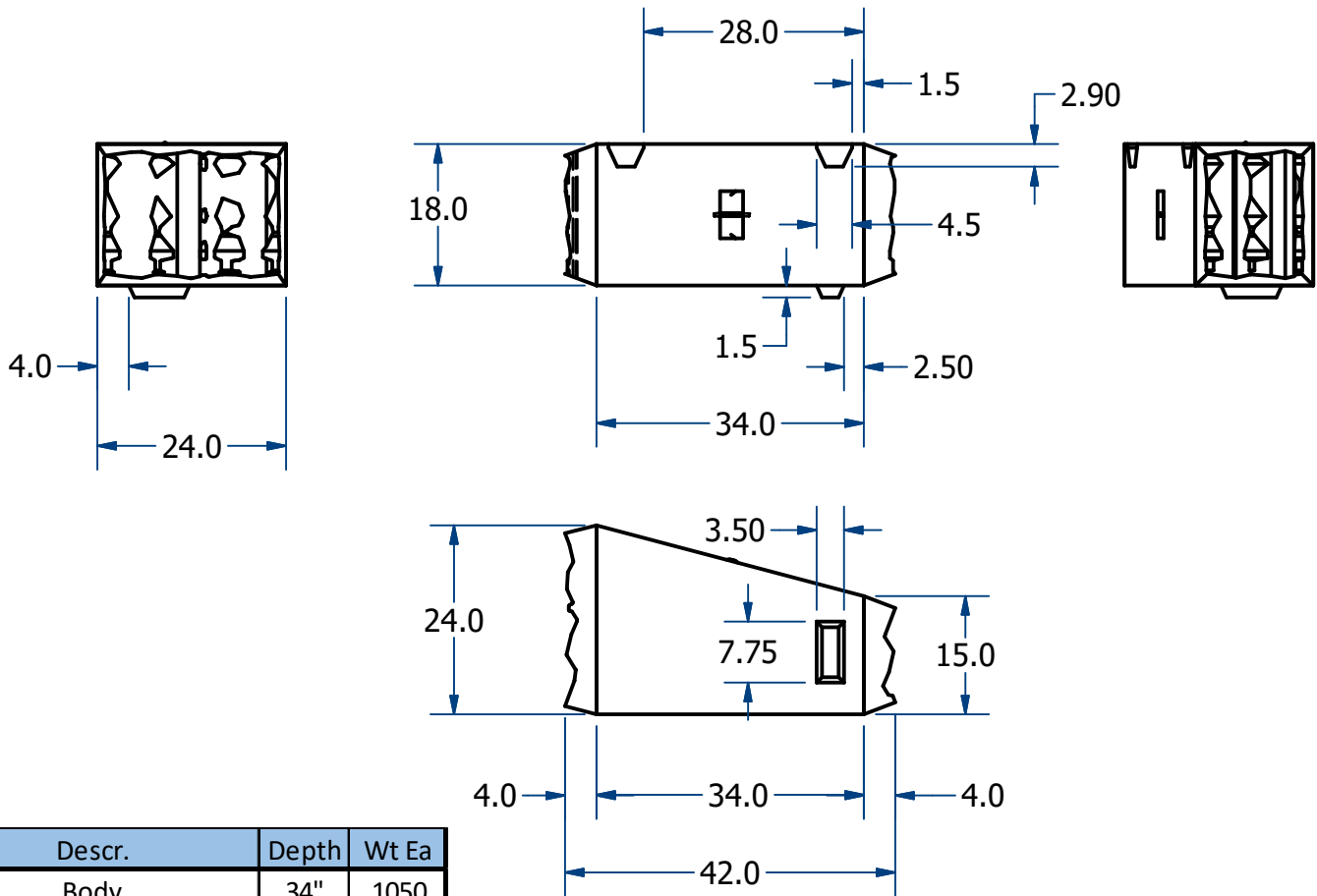
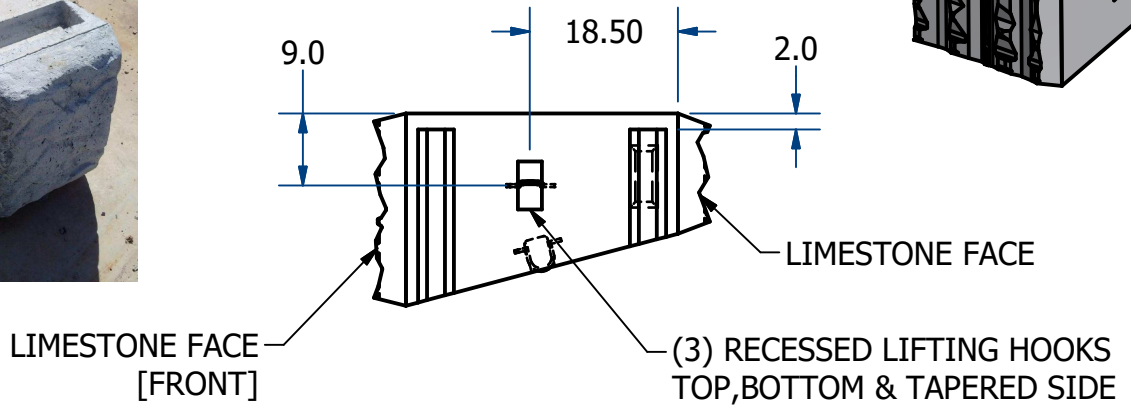
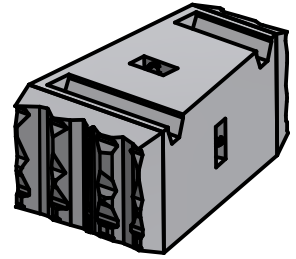


ACME-SHOREY

PRECAST CONCRETE PRODUCTS

NOTES:

1.) FRONT FACE AREA = 3 SQFT.



Descr.	Depth	Wt Ea
Body	34"	1050
Front, Limestone Face x 24"	4"	125
Back, Limestone Face x 15"	4"	75
		1250

NAME: HALF BOULDER (LB42)

H-20

ITEM# LBHB

Concrete Minimum Strength: 5,000 p.s.i. at 28 days
 Steel Reinforcement: ASTM A615, Grade 60
 Design Loading: standard units - AASHTO - H20

WEIGHT 1250

Lbs

C

DATE: 8-17-20

Ch 20

Pg 1.2

Sht 2 of 2