

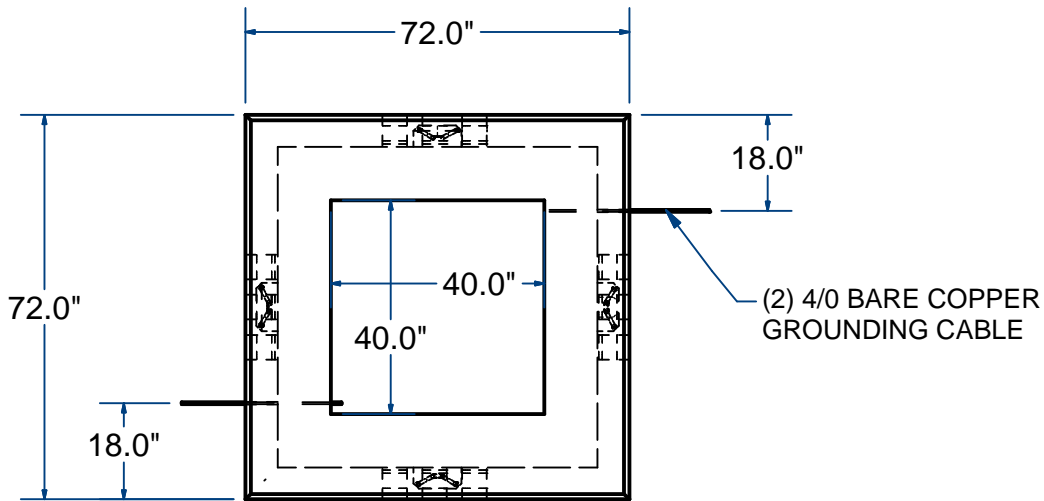
**PRIMARY PULL BOX (NE-15B x 48")**

THREE PHASE

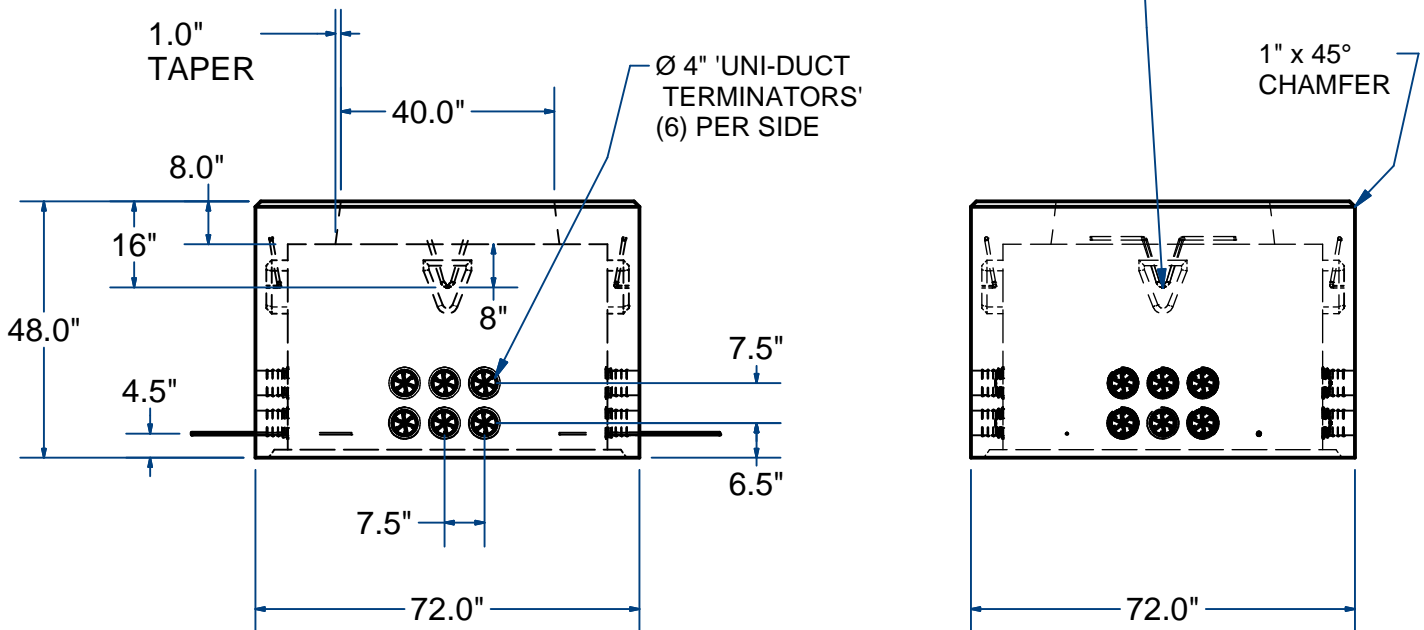
H20

# ACME-SHOREY

PRECAST CONCRETE PRODUCTS



(4) - PI - 2 PULLING IRONS  
CAST IN RECESSED POCKETS  
(1) - PER SIDE



**NAME:** PRIMARY PULL BOX FOUNDATION (NE-15Bx48") H-20  
(THREE PHASE)

**ITEM#** ENE15B48

Concrete Minimum Strength: 5,000 p.s.i. at 28 days  
Steel Reinforcement: ASTM A615, Grade 60  
Design Loading: standard units - AASHTO - H20

Weight: 8,000 Lbs

H

DATE: 10-3-2021

Ch 23 Pg 7.2 Sht 2 of 2