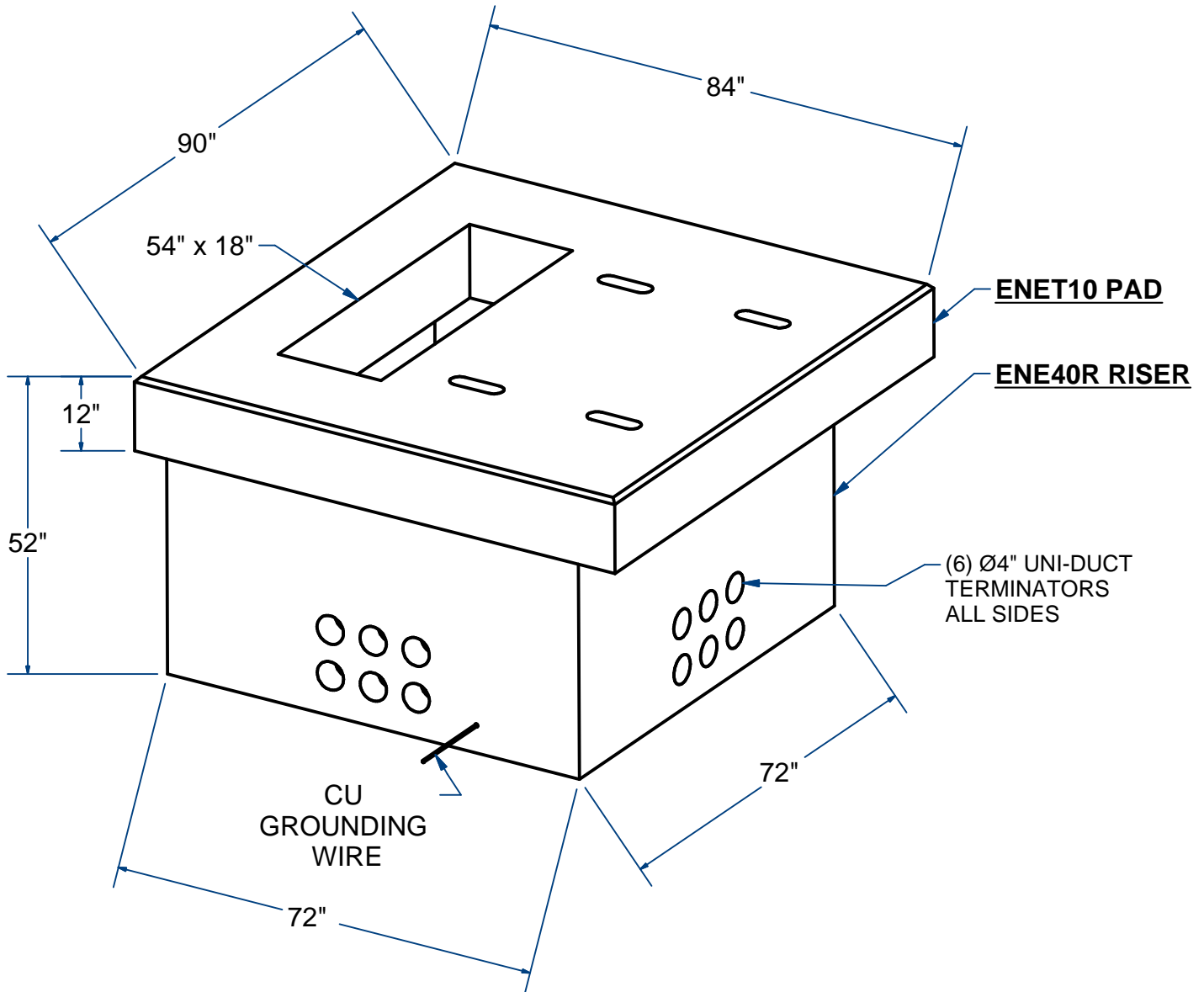


NOTES:

- 1.) NSTAR ELECTRIC SPEC : NE-13A
W/ ET-1000 SLAB TOP



TRANSFORMER PAD FOUNDATION

THREE PHASE (225-1000 KVA)

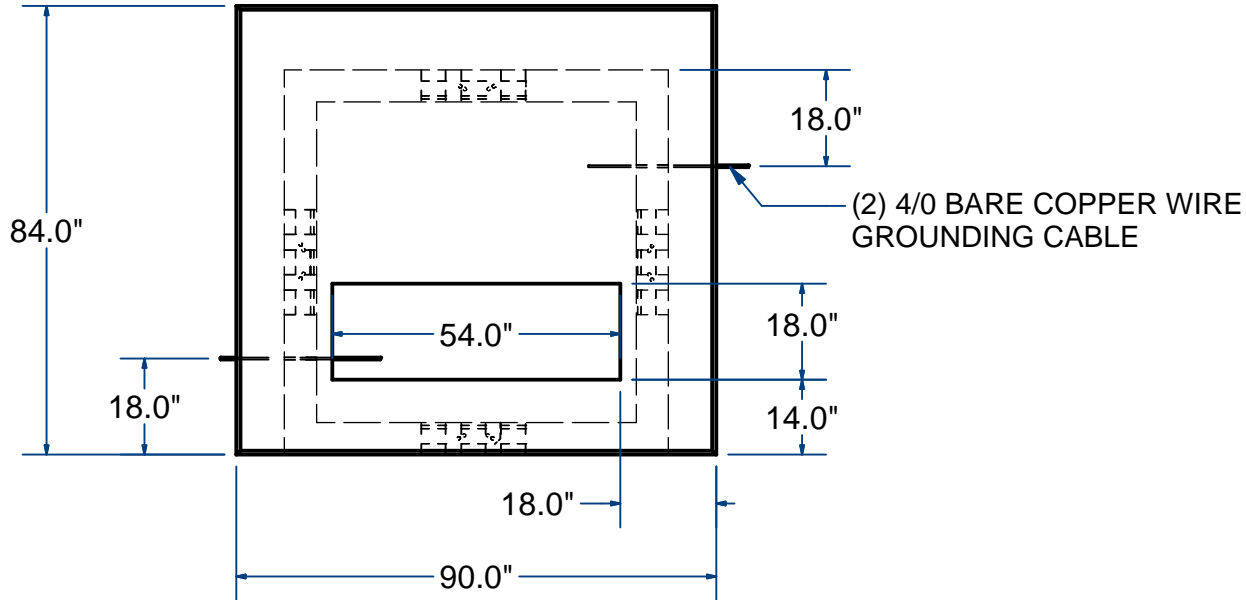
H20

ACME-SHOREY

PRECAST CONCRETE PRODUCTS

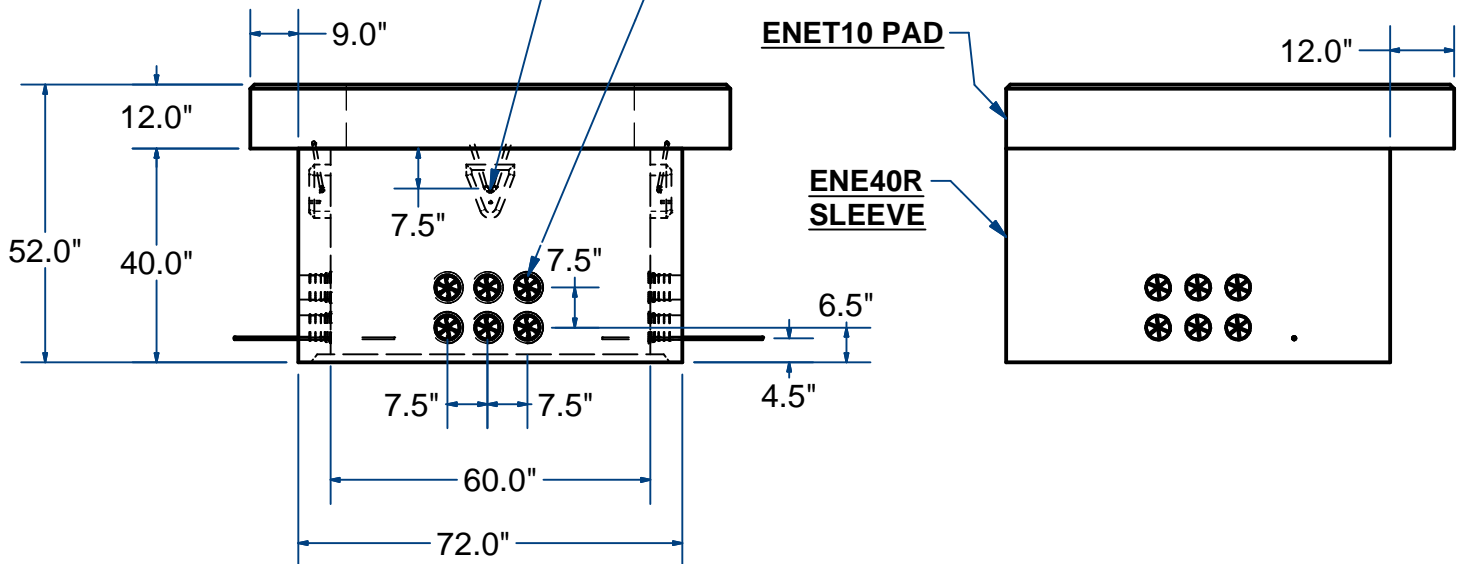
NOTES

- 1.) NSTAR ELECTRIC SPEC. NE13A:
W/ ET-1000 SLAB TOP



(4) PI-2 PULLING IRONS
CAST IN RECESSED POCKETS
(1) PER SIDE ON INSIDE WALL.

4" DIA. 'UNI-DUCTS TERMINATORS'
(6) PER SIDE



NAME: TRANSFORMER PAD FOUNDATION
(THREE PHASE: 225-1000 KVA)

H-20 ITEM# ENE13A

Concrete Minimum Strength: 5,000 p.s.i. at 28 days
Steel Reinforcement: ASTM A615, Grade 60
Design Loading: standard units - AASHTO - H20

TOP 6,900 Lbs
BOTTOM 5,100 Lbs

C DATE: 10-5-21
Ch 23 Pg 6.1 Sht 2 of 2