

ACME-SHOREY

PRECAST CONCRETE PRODUCTS

WWW.ACMESHOREY.COM

PHONE (508) 548-9607

FAX (508) 548-1664

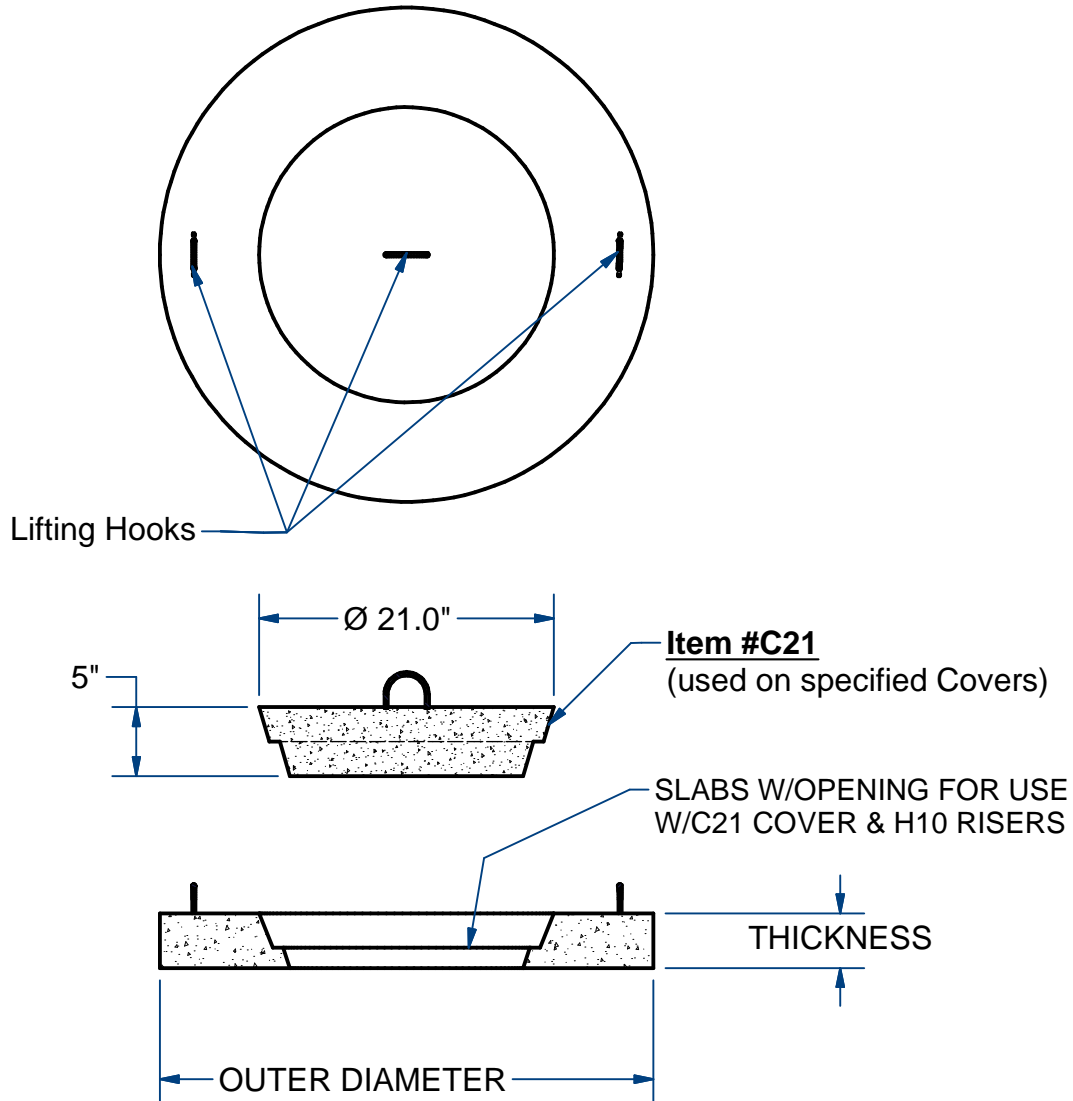
CARVER, MA

334 TREMONT STREET

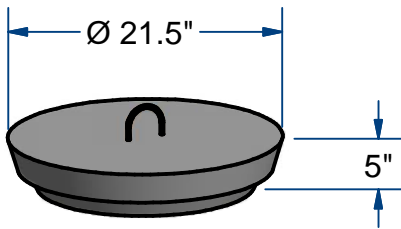
HARWICH, MA

36 GREAT WESTERN ROAD

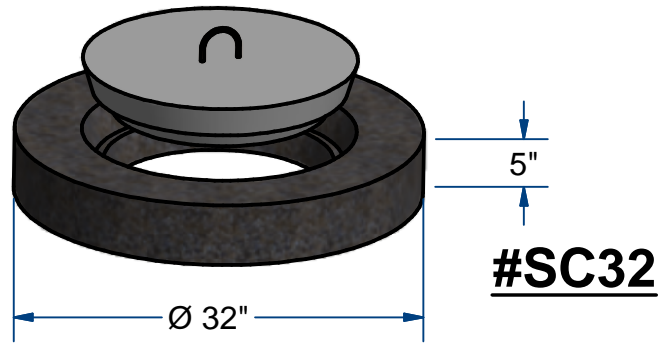
Part#	Description - Covers-H10	Outer Diameter	Thickness	Center Cover	Wt. (Lbs)	Sct.	
C21	Cover,Pit	ø21.0"	5"	n/a	130	6 - 10	A
C24	Cover, Flat	ø24.0"	3"	n/a	180	6 - 11	S
C32	Cover, Flat	ø32"	3"	n/a	210	6 - 12	S
SC32	Special Cover(Includes C21 center cover)	ø32"	5"	C21	350	6 - 13	A
SC36	Special Cover(Includes C21 center cover)	ø36"	5"	C21	450	6 - 14	A
SC48	Special Cover(Includes C21 center cover)	ø48"	5"	C21	750	6 - 15	A
SC54	Special Cover(Includes C21 center cover)	ø54"	4"	C21	800	6 - 16	A



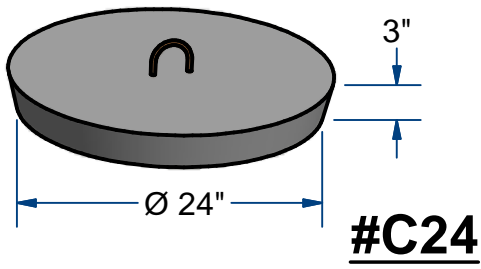
PRECAST CONCRETE COVERS - H10



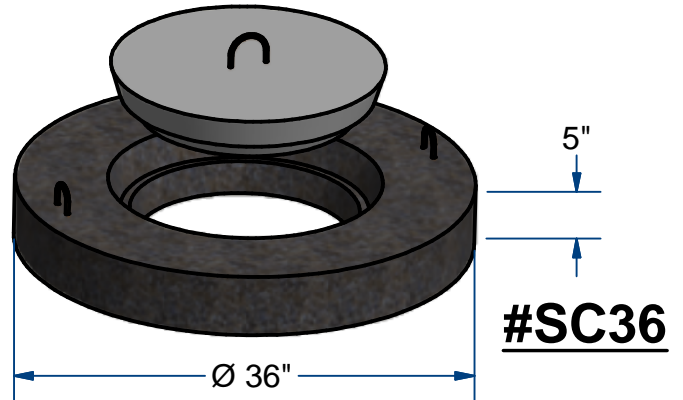
#C21



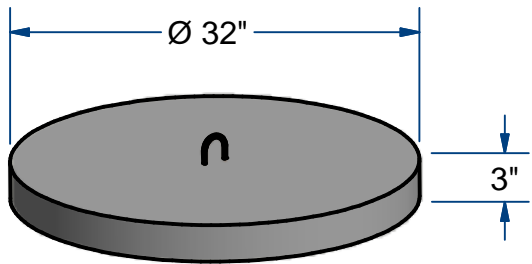
#SC32



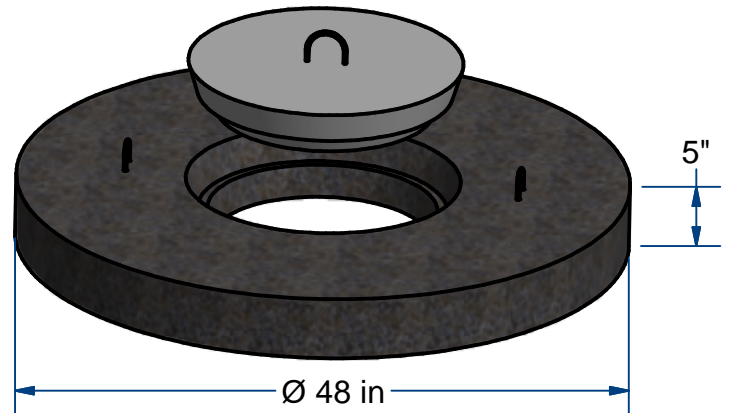
#C24



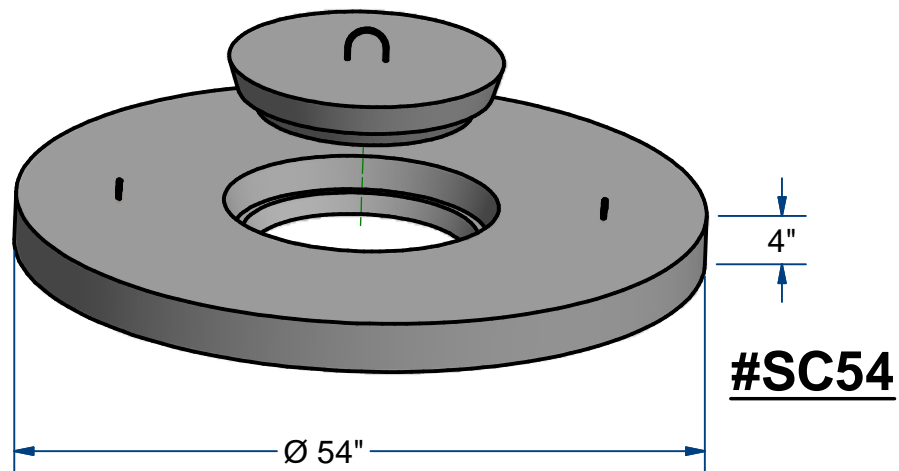
#SC36



#C32



#SC48



#SC54